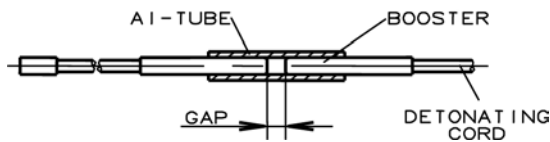


Application

Temperature resistant bi-directional booster for oilfield use.

Sensitivity

Booster to booster transfer at air gap of max. 60 mm (2.36")



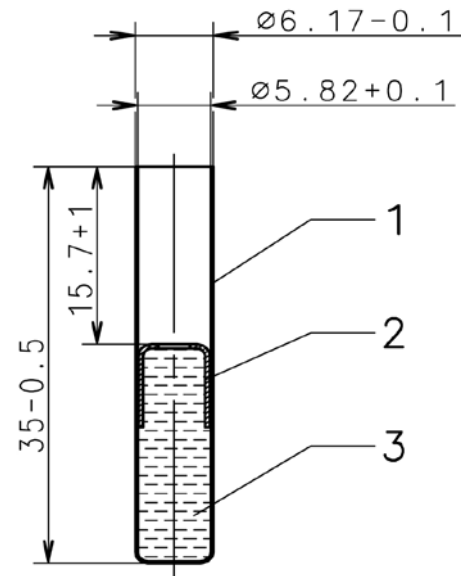
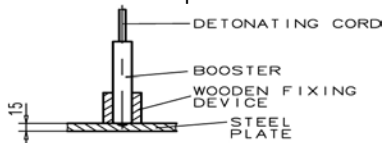
Detonating cord to booster transfer at air gap of max. 2 mm (0.08")

Explosives

HNS 600mg 9.25 grains

Output

Dent in a steel plate of min. 0.55 mm (0.021")



1. Sleeve
2. Inner Sleeve
3. Charge

All Dimensions in mm

Shelf Life

2 years according to CE regulations 5 years at storage conditions of +5°C (+41°F) to +30°C (86°F) and maximum 65% relative humidity with good ventilation.

Disposal

Boosters should be destroyed only by authorised persons, and in accordance with all applicable laws, regulations, and company procedures.

| Part Number | Package | Classification | CE Number | UN Number | D.O.T. |
|-------------|---------|----------------|------------------|-----------|---------|
| 2505998 | 200 pcs | 1.4S | 0080.EXP.98.0028 | 0349 | PENDING |
| 2313245 | 100 pcs | 1.4S | 0080.EXP.98.0028 | 0349 | PENDING |
| 2505683 | 50 pcs | 1.4S | 0080.EXP.98.0028 | 0349 | PENDING |

Temperature Resistance

| Temperature in °C | Temperature in °F |
|-------------------|-------------------|
| 250 °C / 1hr | 482 °F / 1 hr |
| 230 °C / 100hr | 446 °F / 100 hr |

Packing Information

| | 50 pcs | 100 pcs | 200 pcs |
|----------------------|----------------------|---------|---------|
| Quantity per box | 50 pcs | 100 pcs | 200 pcs |
| Gross weight per box | 1.42 kg | 1.47 kg | 1.58 kg |
| Net weight per box | 0.06 kg | 0.11 kg | 0.22 kg |
| NEC per box | 0.03 kg | 0.06 kg | 0.12 kg |
| Dimensions of box | 40cm x 39cm x 15.5cm | | |
| Product Weight | 1.1 g | | |
| Package Type | Carton + Vacuum Bag | | |

+/- 5 % tolerance in weights