



DETONATING CORD

T 250 HNS SLIM 40 1.4D XR

Application

Temperature resistant detonating cord for oilfield use.
Not recommended for use with exposed gun systems.

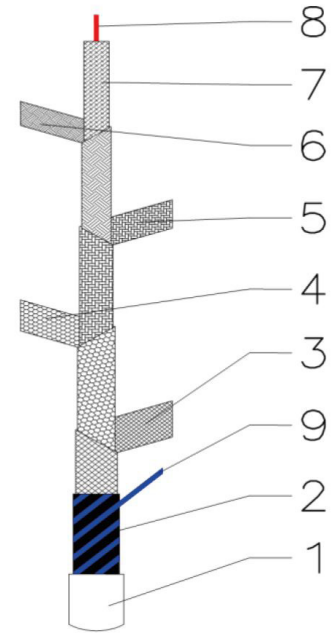
	METRIC	IMPERIAL
Explosive Core	HNS 8.5 - 9.5 g/m	40.0 - 44.7 grains/ft
Tensile Strength	1000 N	220 pounds
Detonation Velocity	6,200 ± 200 m/s	20,340 ± 656 ft/s
Outside Diameter	4.1 ± 0.2 mm	0.161 ± 0.01 inches
Lap Joint Sensitivity		No
Cord X-Rayed		Yes
Maximum Shrinkage		2%
Cord Color	Black with Blue Marker Thread	

Shelf Life

5 years at storage condition: - 40°C to + 60° C; -40°F to + 140°F;
maximum 65% relative humidity; good ventilation

Disposal

Detonating cords should be destroyed only by authorized persons and in accordance with all applicable laws, regulations and company procedures.



- All Dimensions in mm
1. End Cap
 2. Heat-Resistant Sheath
 3. Plastic Foil Strip
 4. First Covering with Thread
 5. Second Covering with Thread
 6. Third Covering with Thread
 7. Explosive
 8. Marker Thread
 9. Identification Thread

PART NUMBER	CLASSIFICATION	CE NUMBER	UN NUMBER	D.O.T.
2330841	1.4D	0080.EXP:10.0017	0289	PENDING

Temperature Resistance

TIME	TEMPERATURE IN °C	TEMPERATURE IN °F
200 Hours	230°C	446°F
1 Hour	250°C	482°F

Note: Not recommended for use below 0°C / 32°F

Packing Information

Quantity per box	1 piece of 25.4 m
Gross weight per box	8.00 kg
Net weight per box	0.50 kg
NEC per box	0.23 kg
Dimensions of box	74.0 cm x 72.0 cm x 13.0 cm
Product weight	20 g/m
Package Type	Carton + Vacuum Bag

+/- 5% tolerance in weights