

Type and Application

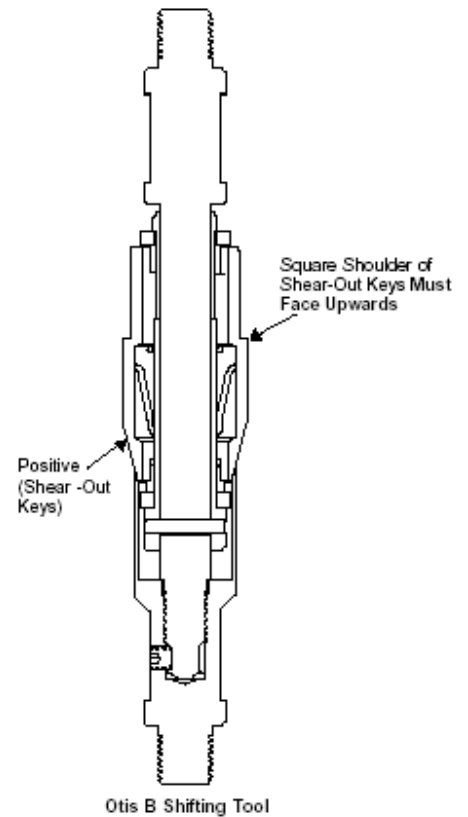
The DynaEnergetics Shifting Tool string is typically composed of:

From bottom up:

- Shifting Tool
- Spang (or tube) Jars
- Hydraulic Jars (if available)
- Knuckle Joint
- Sinker Bar
- Cable Head

Only use positive keys for this gun release

It is recommended to drift all equipment above the mechanical gun release.



Selection Chart

Part No.	Tool Size (mm / in)	Shifting Sleeve Bore	Expanded OD	Minimum Restriction*
2317681	60.3mm / 2.375"	1.875 in	2.076 in	1.781 in
2317682	73.0mm / 2.875"	2.250 in	2.592 in	2.188 in

* *minimum restriction the tool will pass through*

Note: Product condition must be monitored, inspected and maintained regularly to ensure proper service in accordance with DYNAenergetics guideline. Failure to do so may result in personal injury and/ or property damage. For questions please contact your DYNAenergetics representative.