

APPLICATION

RF-safe, fluid disabled, temperature resistant detonator with integrated selective switch for oilfield use.

ELECTRICAL PARAMETERS

Resistance: 56 kΩ ± 2kΩ

Measuring with DMM digitally locked

Operation only possible with the suitable DynaEnergetics digital firing panel

SAFETY TESTED

Against max. static electricity: 2,500 PF 30 KV

Against max. high frequency: 10KHz to 4GHz

Safety tested at: 120 VDC

DETONATORS PER RUN

Maximum 20

FLUID DESENSITIZATION

After 2 minutes in water

EXPLOSIVES

Primary Charge: 80mg PbN₆ 1.23 grains

Base Charge: 660mg HNS 9.26 grains

SHELF LIFE

5 years at storage conditions of -40°C to +60°C; -40°F to +140°F; maximum 65% relative humidity with good ventilation.

DISPOSAL

Detonators should be destroyed only by authorized persons and in accordance with all applicable laws, regulations and company procedures.

SPECIFICATIONS

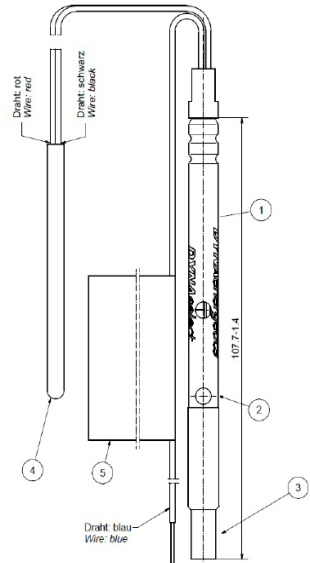
Part Number	Classification	CE Number	UN Number	D.O.T.
2323574	1.4S	0080.EXP.11.0025	0456	EX2013040599

TEMPERATURE RESISTANCE

Time	Temperature in °C	Temperature in °F
1 hour	190°C	302°F
1 hour*	260°C	500°F
*with special vacuum flask PN2327283 (Ø34mm x 230mm)		

PACKING INFORMATION

Quantity per box	50 pcs
Gross weight per box	13.60 kg
Net weight per box	0.81 kg
NEC per box	0.034 kg
Dimensions of box	33cm x 32cm x 23cm
Product Weight/m	16.20 g
Package Type	Steel Case
note: flask is delivered in an additional carton and is not included in above packing details.	
+/- 5% tolerance in weights	



All Dimensions in mm

1. Aluminum Shell
2. FD Holes
3. Crimp Extension
4. Shunt
5. TTE label