

## APPLICATION

Temperature and pressure resistant percussion initiator for oilfield use.

## NOTES

Minimum pin stroke:	3mm [0.155"]*
Maximum pin stroke:	4mm [0.18"]
Minimum foil deformation:	1.27mm [0.052"]*
Maximum foil deformation:	2.2mm [0.087"]

\*The stroke values assume that, before impact, the tip of the pin sits at the same height as the upper flat surface plane of the percussion initiator. Different firing heads may have different stroke configurations but may still be compatible, providing the foil deformation is within the required limits. In case of questions, please contact your DynaEnergetics representative.

## PRESSURE RATING

140 MPa (20,305 psi) Sealed before and after initiation

## FIRING PIN CONFIGURATION

0.050" Radius, 60° Point

## FIRING CHARACTERISTICS

No fire: Ball weight:	1.1 kg [2.4lb]
Drop height:	40 cm [15.75"]
Minimum Impact Velocity:	4.5M/sec. [14.8ft/sec]

All fire: Ball weight:	1.1kg [2.4lb]
Drop height:	200 cm [78.7"]

## INITIATION GAP

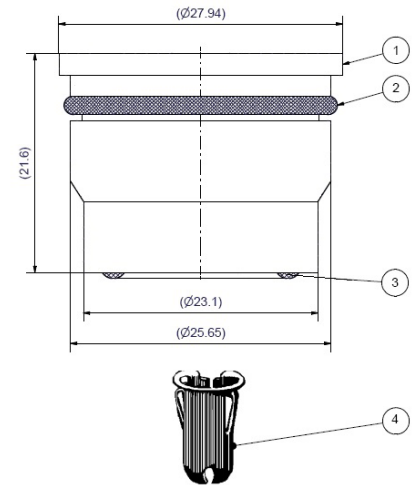
Ignites HMX booster at 25 mm [1.00"] gap  
Ignites HNS booster at 20 mm [0.80"] gap

## EXPLOSIVES

Primary Charge:	86mg PbN <sub>6</sub>	1,327 grains
Base Charge:	325mg HNS	5,015 grains

## SHELF LIFE

5 years at storage conditions of -40°C to +60°C; -40°F to +140°F; maximum 65% relative humidity with good ventilation.



All Dimensions in mm

1. Percussion Initiator Body
2. O-ring 0.864" x 0.070"
3. O-ring 0.5492" x 0.103"
4. Tubular Nut

Part Number	Classification	CE Number	UN Number	D.O.T.
2317025	1.4S	0080.EXP.08.0014	0455	EX-2009080171

## TEMPERATURE RESISTANCE

Time	Temperature in °C	Temperature in °F
1 hour	250°C	480°F
10 hours	230°C	445°F
30 hours	200°C	390°F
100 hours	180°C	356°F
200 hours	120°C	248°F

## PACKING INFORMATION

Quantity per box	25 pcs
Gross weight per box	20.2 kg
Net weight per box	1.875 kg
NEC per box	0.011 kg
Dimensions of box	33 cm x 32 cm x 23 cm
Product Weight/m	75 g
Package Type	Steel Case
+/- 5% tolerance in weights	