

Application

Designed electric connection between mono conductor wireline and 1 3/16" - 12 THD Type "A" Box.

Specifications

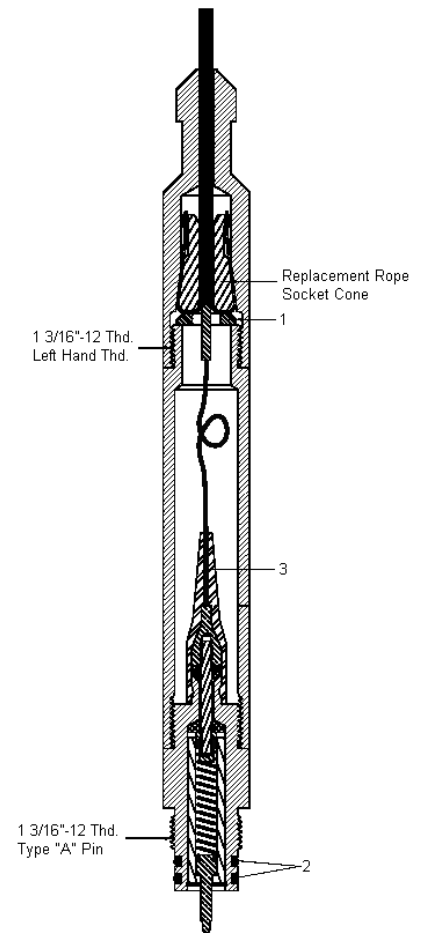
Bottom Connector Thread	1 3/16" - 12 THD Type "A" Pin
Temperature rating depending on O-Ring type	

Available Sizes

Diverse sizes available for differing cable diameters (see chart below)

Recommendations

Check insulation and continuity before each run.



Selection Chart

Item	Part No.	Weight	Dimensions	Replacement Rope Socket Cone
Cable Head Assembly 1/8" Line	2323374	2.4 kg	37mm x 305mm	On demand
Cable Head Assembly 7/32" Line	2316399	2.4 kg	37mm x 305mm	On demand
Cable Head Assembly 5/16" Line	2819316	2.4 kg	37mm x 305mm	2313372
Cable Head Assembly 7/16" Line	2316718	2.4 kg	37mm x 305mm	On demand
Cable Head Assembly 15/32" Line	2316401	2.4 kg	37mm x 305mm	On demand
#1: Compression Washer	On demand	-	-	-
#2: O-Ring 260°C / 500°F	2313371	-	-	-
#3: Boot for Electric Connection	2819332	-	-	-
Contact Replacement Kit	On demand	-	-	-

Recommendations

In order to ensure proper seal, it is recommended to string tie boot ends with seizing cord.