

APPLICATION

Ultra-high temperature/long time exposure and pressure resistant percussion initiator for oilfield use.

Minimum pin stroke:	3mm (0.155")*
Maximum pin stroke:	4mm (0.18")
Minimum foil deformation:	1.27mm (0.052)*
Maximum foil deformation:	2.2mm (0.087")

*The stroke values assume that, before impact, the tip of the pin sits at the same height as the upper flat surface plane of the percussion initiator. Different firing heads may have different stroke configurations but may still be compatible, providing the foil deformation is within the required limits. In case of questions, please contact your DynaEnergetics representative.

PRESSURE RATING

140 MPa (20,305 psi) Sealed before and after initiation

FIRING PIN CONFIGURATION

0.050" Radius, 60° Point

FIRING CHARACTERISTICS

No fire: Ball weight:	1.1 kg (2.4lb)
Drop height:	40 cm (15.75")
Minimum Impact Velocity:	4.5M/sec. (14.8ft/sec)

All fire: Ball weight:	1.1kg (2.4lb)
Drop height:	200 cm (78.7")

INITIATION GAP

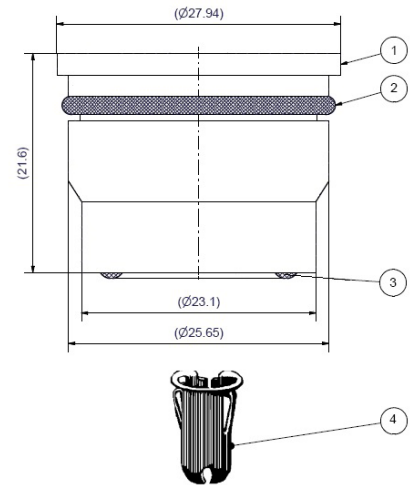
Ignites HMX booster at 25 mm (1.00") gap
 Ignites HNS booster at 20 mm (0.80") gap
 Ignites PYX booster at 15 mm (0.60") gap

EXPLOSIVES

Primary Charge:	220mg BAX	3.4 grains
Base Charge:	240mg PYX	3.7 grains

SHELF LIFE

5 years at storage conditions of -40°C to +60°C; -40°F to +140°F; maximum 65% relative humidity with good ventilation.



All Dimensions in mm

1. Percussion Initiator Body
2. O-ring 0.864" x 0.070"
3. O-ring 0.5492" x 0.103"
4. Tubular Nut

Part Number	Classification	CE Number	UN Number	D.O.T.
2329159	1.4s	0589.EXP.2306/17	0455	pending

TEMPERATURE RESISTANCE

Temperature in °C	Temperature in °F
300 °C/ 1 hr	572 °F/ 1 hr
290 °C/ 2 hr	545 °F/ 2 hr
260 °C/ 90 hr	500 °F/ 90 hr
250 °C/ 170 hr	482 °F/ 170 hr
200 °C/ 500 hr	392 °F/ 500 hr

PACKING INFORMATION

Quantity per box	25 pcs
Gross weight per box	20.2 kg
Net weight per box	1.875 kg
NEC per box	0.011 kg
Dimensions of box	33cm x 32cm x 23cm
Product Weight/m	75 g
Package Type	Steel Case
+/- 5% tolerance in weights	